

51

8514 A 03

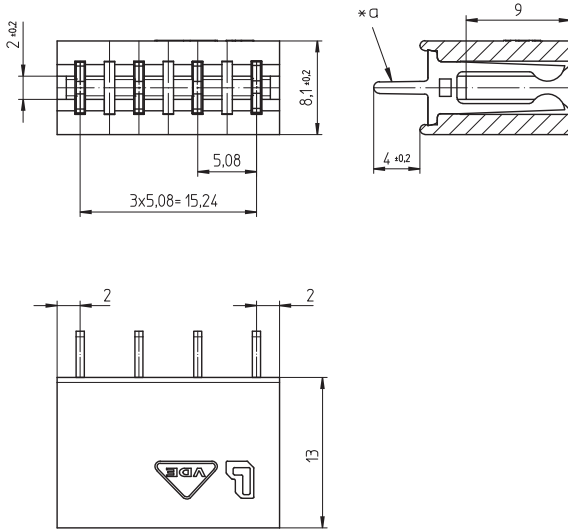
Direct connectors for printed circuit boards, pitch 2.54/5.08 mm



Socket board for direct mating  
contact pitch 5.08 mm

51

8514 A 03



\*a solder pin for bore hole in printed circuit board  $\varnothing$  1.3 mm

### Environmental conditions

Temperature range  $-40\text{ °C}/+120\text{ °C}$ <sup>1</sup>

<sup>1</sup> upper limit temperature (insulating body) RTI (electrical) of the UL Yellow Card

### Materials

Insulating body PA GF, V-0 according to UL94 (8514 A 03 M13)<sup>1</sup>

Contact spring CuSn, pre-nickel and tin-plated

<sup>1</sup> M13: component glow wire resistant (GWT 750 °C), testing acc. to IEC 60695-2-11, assessment acc. to IEC 60335-1 (flame < 2 s)

### Mechanical data

Mating with printed circuit board  $1.5 \pm 0.14\text{ mm}$

Withdrawal force/contact  $\geq 0,6\text{ N}$ <sup>1</sup>

<sup>1</sup> measured with a polished steel pin, nominal thickness 1.5 mm

### Electrical data (at $T_{\text{amb}} 20\text{ °C}$ )

Contact resistance  $\leq 3\text{ m}\Omega$

Rated current 5 A ( $T_U 60\text{ °C}$ )

Rated voltage 250 V AC

Material group IIIa (IEC)/2 (UL) (CTI  $\geq 250$ )

Creepage distance 4,3 mm

Clearance 4,3 mm

Insulation resistance  $> 10\text{ G}\Omega$

51

8514 A 03

Designation	Pole Number	PU (Pieces)	MDQ (Pieces)
8514 A 03	4	1872	1872

**Packaging:**

in bar stock carriers, in a cardboard box